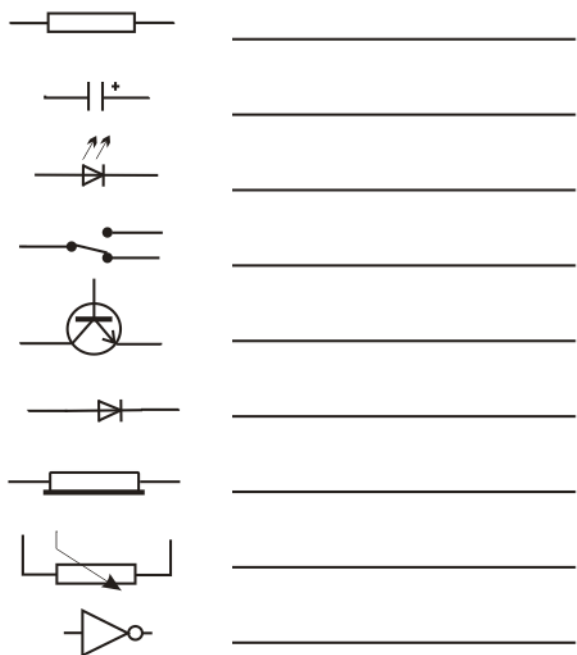


Úloha 1: Doplňte názvy součástek. Použijte stovebnici jako nápovědu



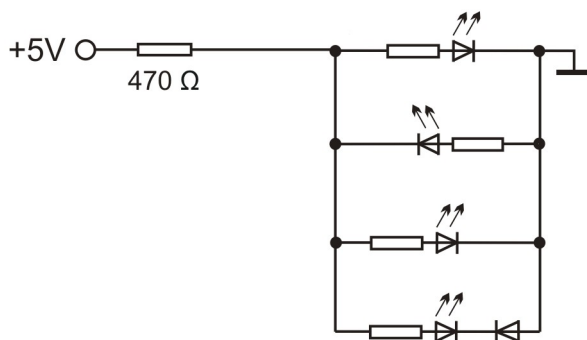
Úloha 2: Křížovka. Jak zní tajenka?

TAJENKA
↓

- A diode symbol pointing right above the 5th-7th cells of the 1st row.
 - A resistor symbol above the 2nd-5th cells of the 1st row.
 - A DC voltage source symbol to the left of the 1st-10th cells of the 2nd row, starting with 'K'.
 - A lamp symbol above the 4th-7th cells of the 3rd row, starting with 'R'.
 - A variable diode symbol pointing right above the 4th-5th cells of the 3rd row.
 - A resistor symbol to the left of the 1st-5th cells of the 4th row, starting with 'R'.
 - A 5x5 grid of empty cells is located between the 1st and 3rd rows, and between the 3rd and 4th rows.

- The 5th cell of the 1st row contains 'A'.
 - The 10th cell of the 1st row contains 'R'.
 - The 5th cell of the 2nd row contains 'R'.
 - The 10th cell of the 3rd row contains 'R'.
 - The 5th cell of the 4th row contains 'D'.
 - The 10th cell of the 4th row contains 'R'.

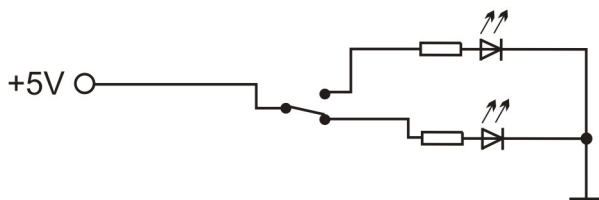
3. Nakreslete tužkou, kudy poteče proud.



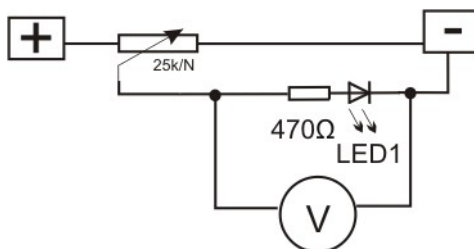
4. Zapojte podle čísel

Zapojte: plus-24 , 23-93 , 24-99 , 92-98 , 98 - mínus

5. Zapojte podle schéma



6. Zapojte schéma. Otáčejte potenciometrem tak, aby LED začala svítit. Změřte pomocí voltmetru napětí na zdiřce 93.



Zapojení: plus-23 , 25-mínus , 24-93 , 92-mínus , 93-voltmetr.

Odpověď: Napětí na zdiřce 93 je _____ V.

7. Dobrovolný úkol: Zapojte podle čísel a nakreslete schéma

Zapojení: 94-mínus , 95-61 , 60-117 , 117-41 , 116-4 , 3-plus , 40-mínus, 59-plus